

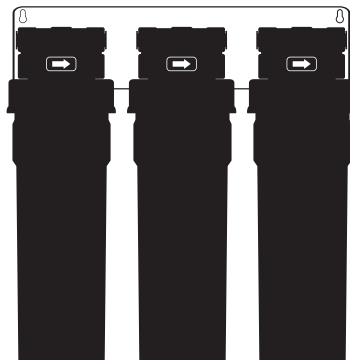


ECOPERLA

**ULTRAFILTRATION
SYSTEM**

ECOPERLA PROFINE POU 3

ORIGINAL PRODUCT OF ECOPERLA



USER MANUAL



Product description

This product is designed for filtration of drinking water. The kit includes a ball valve with an adapter to connect the device into the water system, a support frame, a flexible hose, two quick disconnects, a faucet with mounting accessories and three cartridges.

BEWARE: THE DEVICE REQUIRES REGULAR MAINTENANCE TO GUARANTEE THE REQUIREMENTS FOR TREATED DRINKING WATER AND MAINTENANCE AS DECLARED BY THE MANUFACTURER.

System functions

The Ecoperla Profine POU 3 filter contains a mechanical 5-micron pre-filter cartridge and it removes unwanted odours, aromas and chemical compounds that may be found in drinking water. The ultrafiltration membrane stops suspended solids and colloids above 0.1 micron, preventing 99.99% of bacterial and viral penetration.

Declaration of conformity

The system is compliant with Ministerial Order 25/2012 and Ministerial Order 174/04.

Intended use

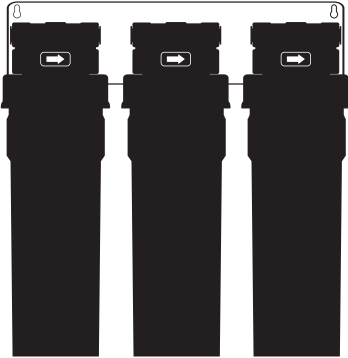
According to Ministerial Order 25/2012, the device is intended for treatment of DRINKING WATER under the conditions and in accordance with the provisions of Executive Order 31/2001. It is strictly forbidden to use the system for treatment of non-drinking water or water of uncertain origin or, in any case, water with microbiological contamination.

Use only original replacement cartridges to ensure correct operation under the conditions specified by the manufacturer.

DISPOSAL OF USED CARTRIDGES IN ACCORDANCE WITH DECISION 2014/955 / EU (EWC 15 02 03).

ANY MISUSE RESULTS IN IMMEDIATE LOSS OF WARRANTY AND NO LIABILITY ON THE PART OF THE MANUFACTURER.





Ecoperla Profine
POU 3

1 piece



quick disconnect 3/8

2 pieces



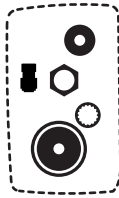
hose 3/8"

3 metres



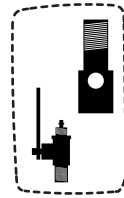
faucet

1 pieces



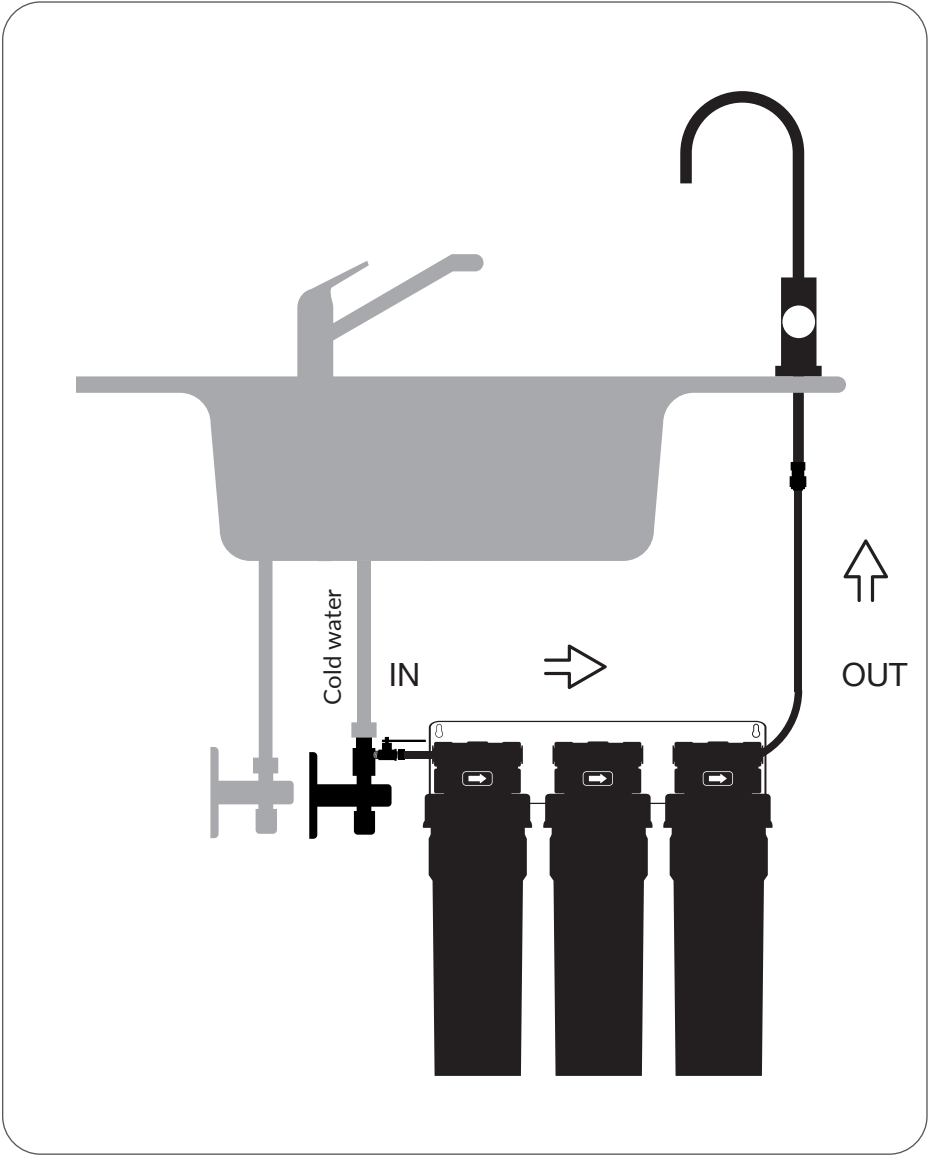
faucet
accessories

1 piece



ball valve and
adapter 3/8"

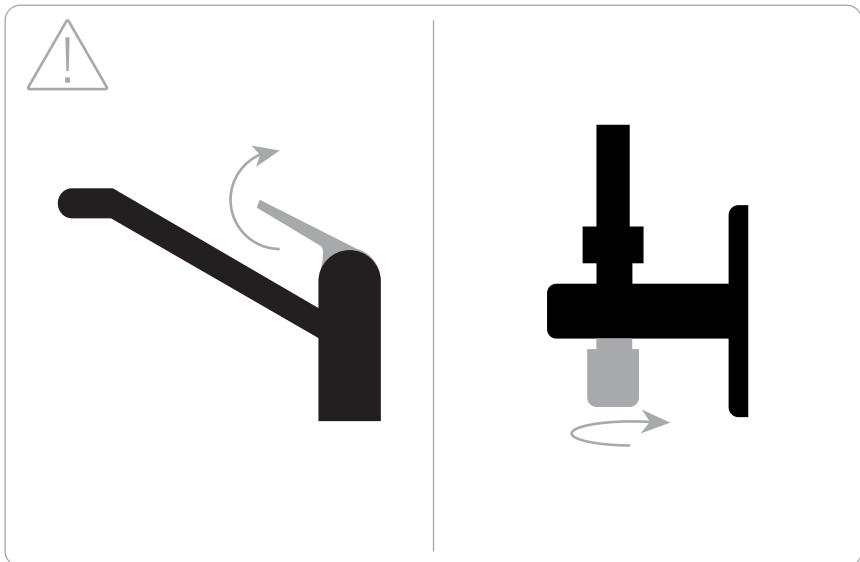
1 piece

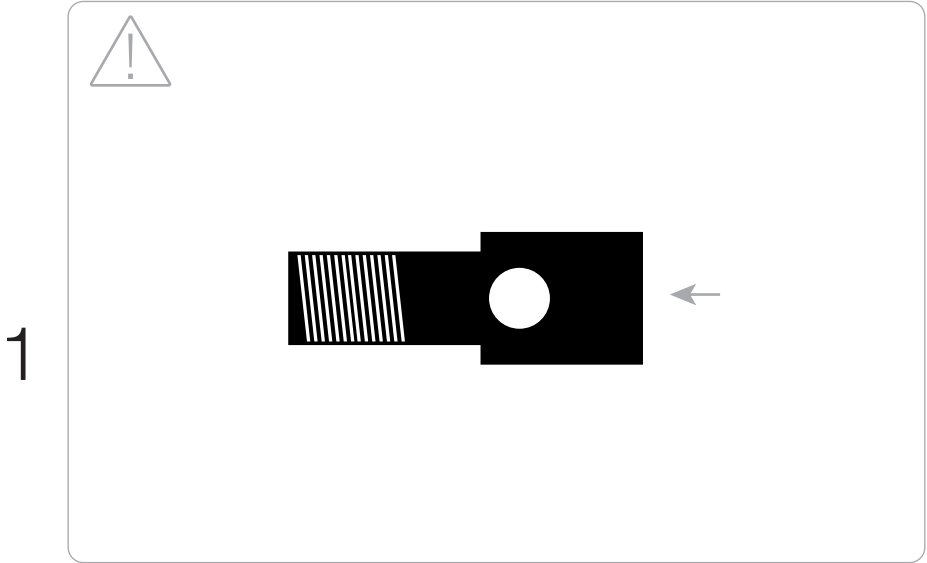


installation

During installation, leave the tap open, close it when you complete the assembly.

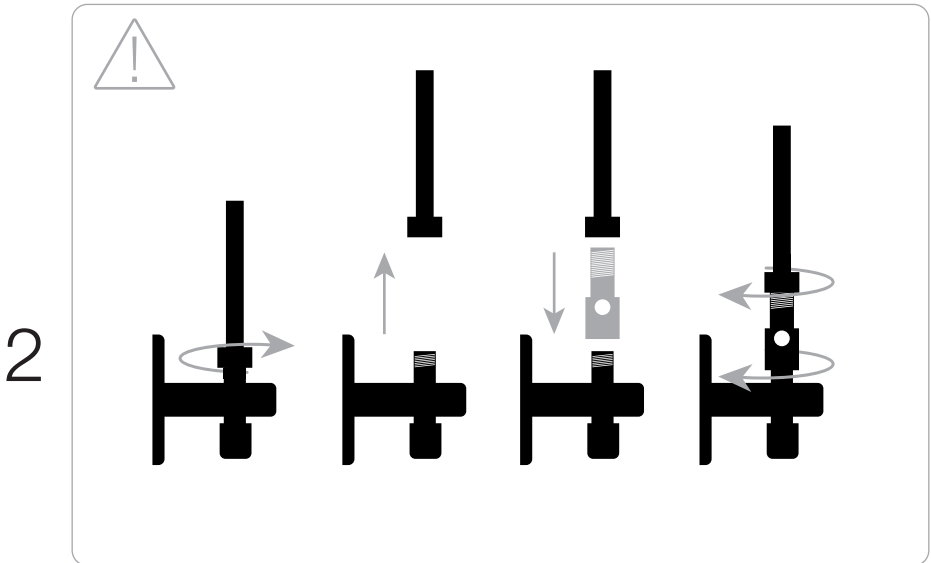
During installation, the cold water inlet valve should be closed

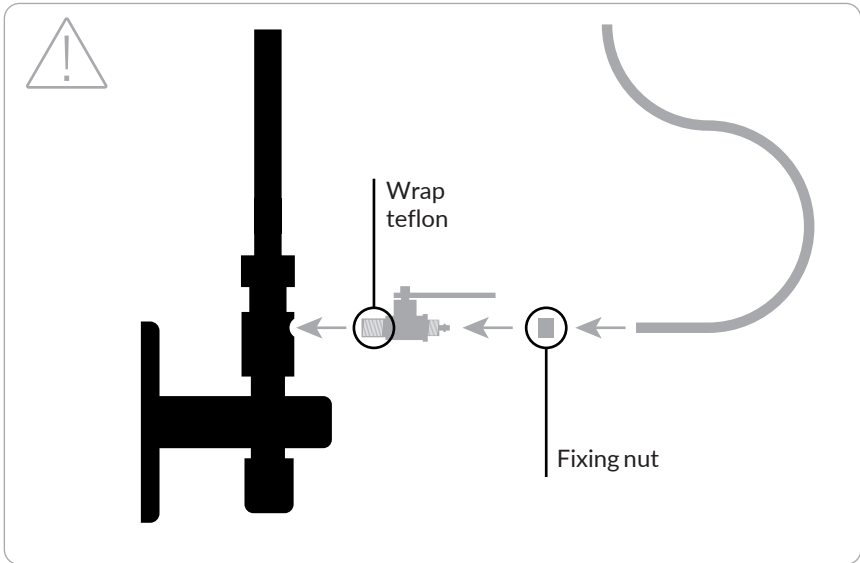




↑ Make sure there is a seal inside the adaptor.

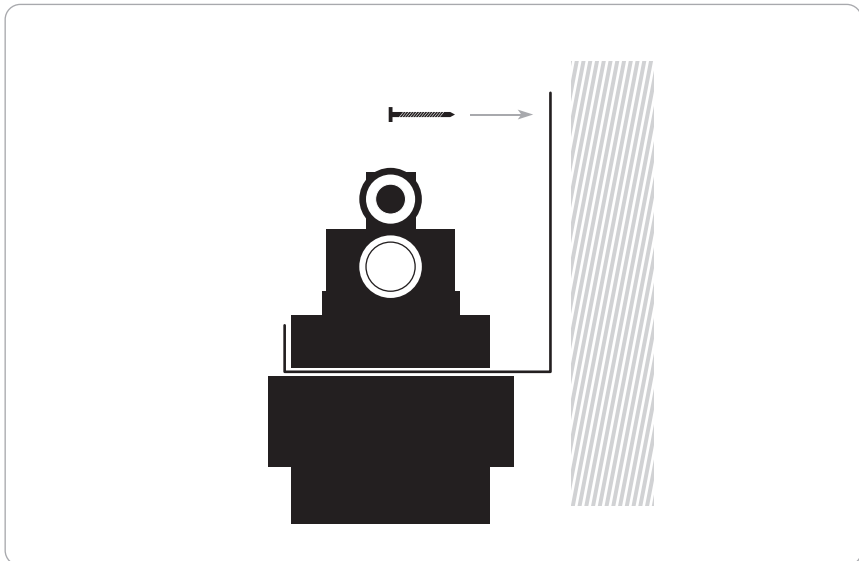
↓ Screw adaptor to the cold water inlet valve.



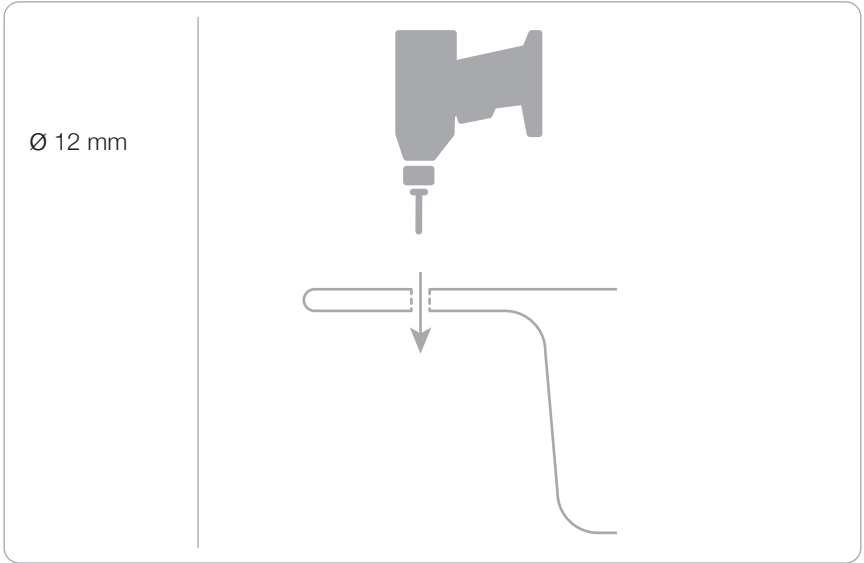


↑ Screw the ball valve into the adapter.

↓ Place the filter upright or screw it to the wall.



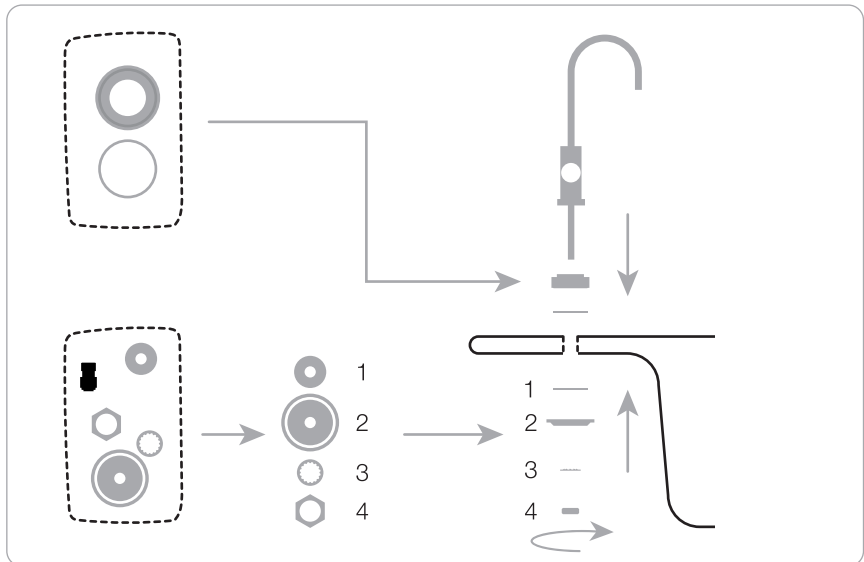
5

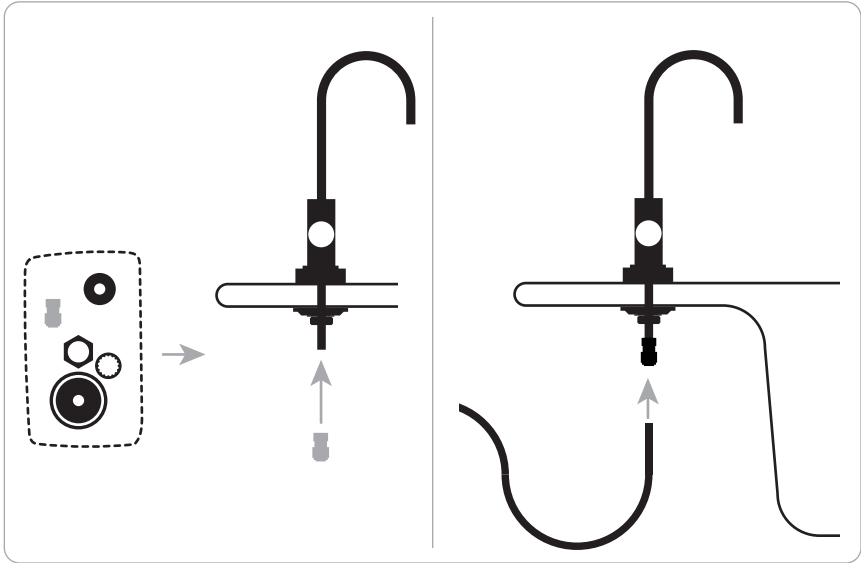


↑ Drill a hole in the sink

↓ Faucet installation diagram

6

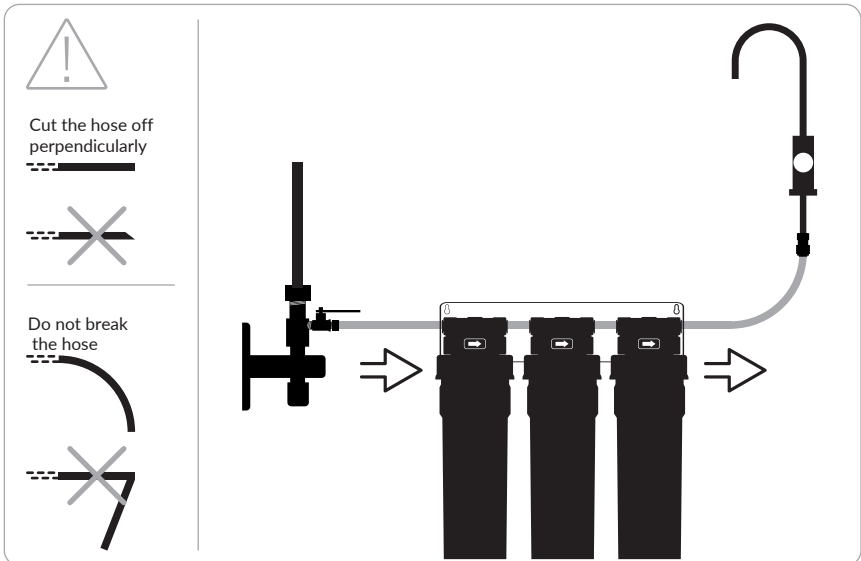




7


↑ Screw the disconnect into the faucet spindle and connect the hose.

↓ Connect the hose to the filter in the direction of water flow.

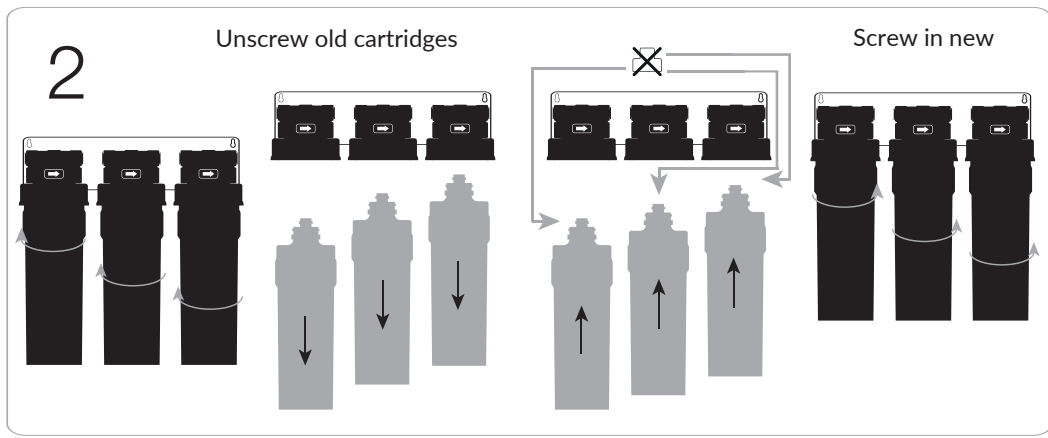
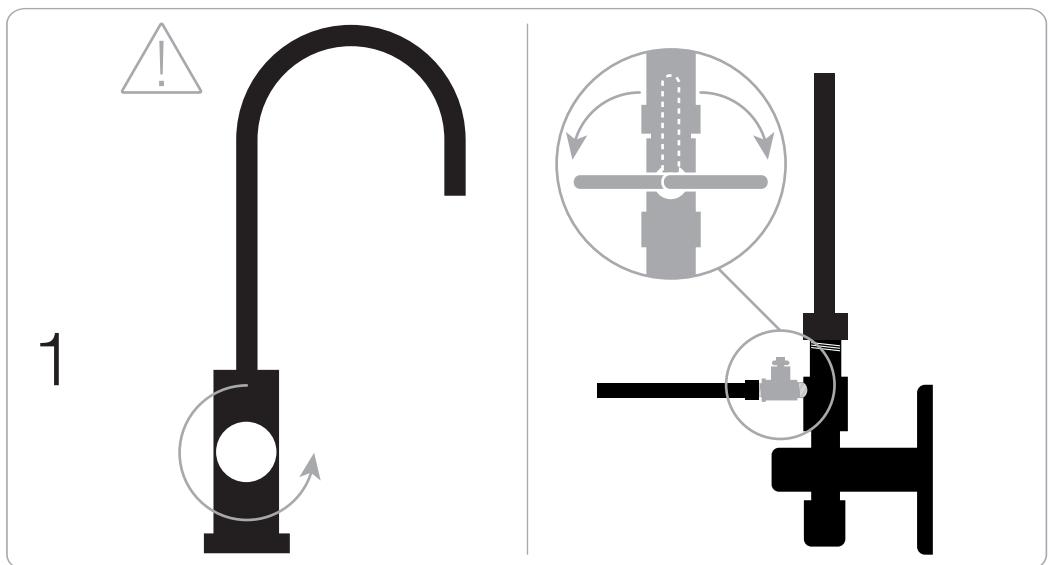


8

filtering cartridge replacement

 Replace all filtering cartridges at the same time. Before replacing the cartridges, close the water inlet valve and turn off the tap. The valve can be opened again the tap can be turned off only after completing the service. After replacing the cartridges, let the water run at full flow for at least 5 minutes before drinking.

↓ Open the faucet valve and close the water intake valve.



warranty

The dealer guarantees that the Ecoperla Profine POU 3 system will work properly for two years from the date of purchase. The warranty covers repair or replacement of faulty parts by the dealer or an authorised service centre.

The warranty does not cover consumables, damage caused by improper use, or mechanical damage.

The warranty is valid only if all the technical requirements of the water system and the requirements of the device use are met.

The seller is not liable for any inconvenience caused by incorrect connection and commissioning of Ecoperla Profine POU 3.

In order to execute the warranty, you need to present proof of purchase. If there is any problem with Ecoperla Profine POU 3, please contact your dealer.

SERIAL NUMBER:

AUTHORISED DEALER/SERVICE PROVIDER

ECOPERLA Profine®

made in italy by
Thinkwater srl for
EcoPERLA

ecoperla.com